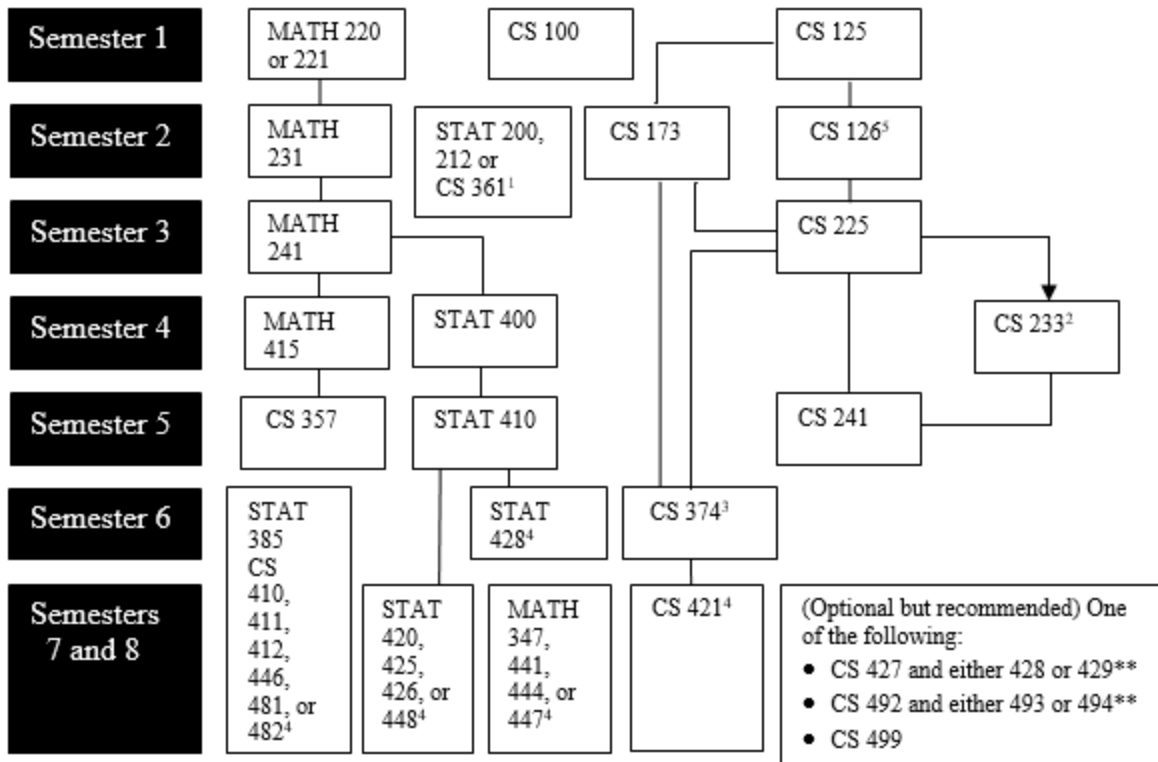




## Worksheet for Statistics and Computer Science Major



| = prerequisite  
 ← = prerequisite or concurrent registration requirement

<sup>1</sup> Students should take STAT 200 or STAT 212 during the first 60 hours of coursework or CS 361, thereafter (note that CS 361 requires credit or concurrent registration in MATH 415).

<sup>2</sup> CS 233 can be taken semester 3 or 4. Students who are very strong in programming may take it with CS 225. Students should complete CS 233 prior to taking CS 241.

<sup>3</sup> CS 374 is currently being offered as a CS 498 Special Topics course - Algorithms and Models of Comp. CS 374 combines material from the old CS 373 and CS 473. Students who take CS 374 do not need to take CS 473.

<sup>4</sup> Can be taken any time semesters 6 through 8, as long as prerequisites have been met. Note that some courses may only be offered once a year. Be sure to plan ahead!

<sup>5</sup> Students who come in with credit for CS 225 (most transfer students) will take CS 242 instead.

\*\* Some courses are offered only in the Spring or Fall. Plan ahead!

### Notes for Freshmen entering Stat/CS

- Freshmen with AP credit for CS 105 or CS 101 should register for CS 100 and 125.
- If you feel confident that you have mastered all the topics of CS 125, you can take a proficiency exam and then move to CS 173. Information on the proficiency exam is here:  
<https://wiki.illinois.edu/wiki/display/cs173/Computer+Science+Proficiency+Exams>
- A small number of students may qualify to take CS 125 and CS 173 concurrently; consult with an adviser.

## General Education Requirements

Lists of courses satisfying the requirements are available on the Web: <http://courses.illinois.edu>

- Language other than English (4 levels) \_\_\_\_\_
- Composition I \_\_\_\_\_
- Advanced Composition \_\_\_\_\_
- Humanities and the Arts (6 hours) \_\_\_\_\_
- Social and Behavioral Sciences (6 hours) \_\_\_\_\_
- Natural Sciences and Technology (6 hours) \_\_\_\_\_
- Quantitative Reasoning (eventually fulfilled by Calculus I and II)
- Western/Comparative Cultures (1 course) \_\_\_\_\_
- Non-Western/U.S. Minority Cultures (1 course) \_\_\_\_\_

## Transferring into Statistics and Computer Science

Students must have completed at least two CS courses required for the major other than CS 125 (typically CS 173 and CS 225), with grades of A- or above. Additionally, students must have a cumulative GPA of at least 3.67. It is highly advisable that students have completed at least Calculus I and II of the calculus sequence by the time of transfer as well. See <http://go.cs.illinois.edu/cstransfer> for full details.